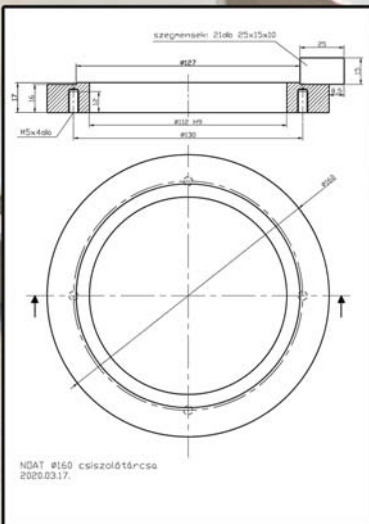


HI TECH DIAMOND TECHNOLOGY



Our company has several decades of professional experience in the manufacture of diamond tools made with powder metallurgy procedures. We exclusively use metal powders of the highest quality and synthetic diamonds tempered in special smoke in the manufacturing process. Each of our diamond tips and segments are manufactured with our proprietary formulas, which we are able to adjust to the needs of our customers, thereby optimising the properties of the tool.

We not only manufacture new products. We remove used diamond tips from tools with a worn working surface and refurbish the tools with diamond tips we manufacture with the appropriate procedure. This procedure has a number of advantages, including cost-effectiveness, the reduction of environmental pollution and maximisation of the tool's lifetime.

Diverse applicability of our products:

Marble-granite-limestone

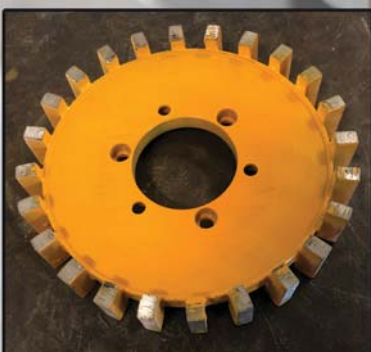
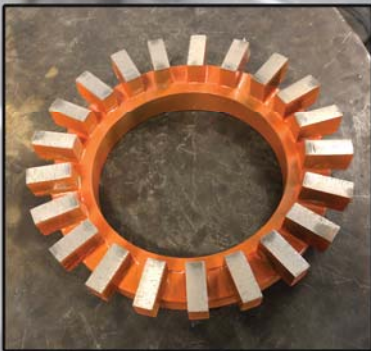
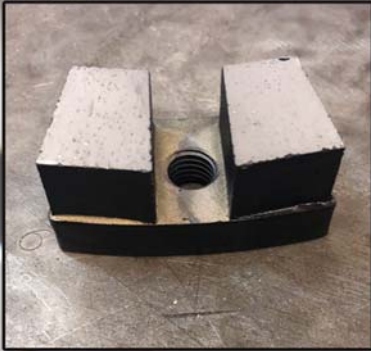
We manufacture cutting discs with a diameter of $\varnothing 350$ mm to $\varnothing 2500$ mm

We also refurbish cutting discs with a diameter of $\varnothing 500$ mm to $\varnothing 2500$ mm

We manufacture any grinding, milling and drilling tool based on a dimensionally accurate technical drawing.

We manufacture and refurbish drilling bits of a diameter of $\varnothing 10$ mm to $\varnothing 1000$ mm, up to a length of 6000 mm.

HI TECH DIAMOND TECHNOLOGY



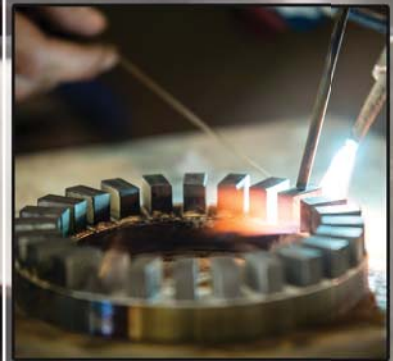
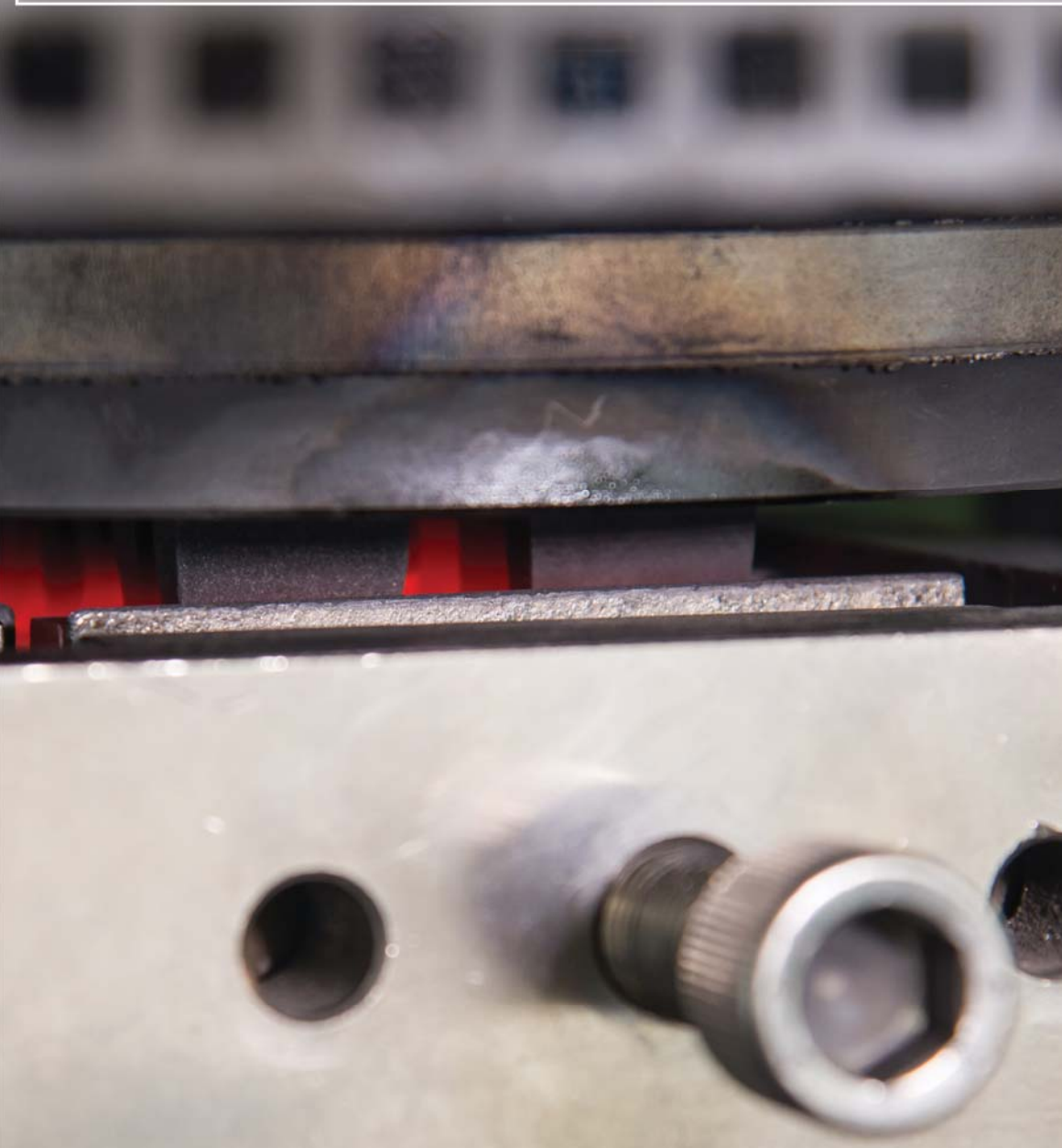
Our satisfied customers include manufacturers of industrial pouring stones, fire-proof profiles for the glass industry (zirkosit, korvisit), fireclay pouring basins, furnaces, smelters.

We supply new cutting discs with a diameter of $\text{Ø}500$ mm to $\text{Ø}1600$ mm.

We also refurbish these cutting discs. We manufacture grinding and milling tools based on individual needs and technical drawings, even in small quantities.

We manufacture drilling bits with an accuracy of one-tenth of a millimetre, with an external and internal size ordered in advance, with a diameter of $\text{Ø}10.2$ mm to $\text{Ø}1000$ mm, in a length of up to 6000 mm.

HI TECH DIAMOND TECHNOLOGY



One of the key business segments of our company include industrial companies manufacturing and processing prefabricated reinforced concrete cross-beams. Their full customer satisfaction is our long-term strategic objective.

For these customers we manufacture cutting discs at a size of $\varnothing 400$ mm – $\varnothing 1300$ mm, $\varnothing 250$ mm groove cutters.

Drilling bits at a size of $\varnothing 10.2$ mm – $\varnothing 1000$ mm, up to a length of 6000 mm.

Borehole cleaners at a size of $\varnothing 16.2$ mm – $\varnothing 50$ mm.

Milling and grinding tools based on dimensionally accurate technical drawings.

We also refurbish worn tools.

HI TECH DIAMOND TECHNOLOGY



Our products include:

Cutting discs at a size of $\text{Ø}350 \text{ mm} - \text{Ø}1600 \text{ mm}$ for working with asphalt, basalt, acid-resistant concrete, extra reinforced concrete, old concrete, fresh concrete, bricks and silicate. From the size of $\text{Ø}400 \text{ mm}$ we refurbish worn bases.

We manufacture milling, grinding and drilling tools based on dimensionally accurate technical drawings, with short deadlines, and refurbish them if necessary and possible.

We also manufacture special-purpose industrial ceramic grinding tips based on a unique design.

If you or your company uses bonded cutting, boring-and-milling or grinding diamond tools, please feel free to contact us through the contacts below.

András Lisznyai

Sales manager

+43 69910061101

info@htdt.at

Ottó Csaplár-Szadai

Director

+36 70 386 2827

info@htdt.hu